



Regarding the usage of our schematics and alike documentation for Trenz module TE0720.

Project is protected under copyright and we strongly and strictly prohibit the reverse engineering or recreation, even if the design is just adapted or modified. TE0720 is protected under such right and in case of plagiarism we will have to do anything necessary in order to protect our assets.

Schematics and other handouts serve for informational purposes only!

	Title: <b>GigaZee</b>		
	A4	Number: <b>TE0720</b> <b>[No Variations]</b>	Rev. <b>04</b>
	Date: <b>2022-01-19</b>	Copyright: <b>Trenz Electronic GmbH / TT</b>	Page <b>1</b> of <b>20</b>
	Filename: <b>Legal Notices Modules.SchDoc</b>		

REV	Description	
-01	Initial revision	
-02		
-03		
-04	<p>1. Revised power supply circuit, replaced next components:</p> <ul style="list-style-type: none"> <li>- EN6347QI (U1) by MPM3840GQV-Z,</li> <li>- EP53F8QI (U2, U3) by MPM3834CGPA,</li> <li>- TPS27082LDDCR (Q1) by MP5077GG-Z.</li> </ul> <p>2. Added power supervisor BD39040MUF (U27). Next signal connected to system controller:</p> <ul style="list-style-type: none"> <li>- PG_All (U27 - U19.C12) with pull-up resistor R67;</li> <li>- WDEN (U27.13 - U19.C6) with pull-down resistor R80;</li> <li>- WDIN (U27.14 - U19.N8);</li> <li>- WDOUT (U27.16 - U19.M3).</li> </ul> <p>3. Signal MIO8 (U5.E5) connected to system controller (U19.N7)</p> <p>4. Added pull-down resistors R64 (net ON_1V0) and R65 (net ON_1V8)</p> <p>5. Revised voltage supervisor U26 circuit: U26.6 (VDD) connected to 3.3VIN, Added protection diode D3 to U26.3 (#MR input)</p> <p>6. Replaced BKP0603HS (L1, L2, L3, L4, L5, L7, L8) by MPZ0603S121HT000</p> <p>7. Auxiliary information has been added on Samtec B2B connectors page</p> <p>8. PCB: Revised layout of power supplies</p> <p>9. PCB: Revised layout of Samtec B2B signals. The length of the tracks has been changed. Pinout of Samtec B2B connectors not affected</p> <p>10. PCB: Added option to install Heatsink SuperGrip (c)</p> <p>11. Added capacitors C7, C8 (100uF, 1V)</p> <p>12. Changed voltage divider resistors (R21, R61) to set the threshold for U26.</p>	VY
-04A	<p>1. Added note regarding VCCIO34, page B2B-Connectors</p>	VY

		Title: GigaZee - Revision History	
		A4	Number: TE0720 [No Variations]
Date: 2022-01-19		Copyright: Trenz Electronic GmbH	
Page 2 of 20		Filename: Revision Changes.SchDoc	
Drawn by: VY			

1

2

3

4

A

A

B

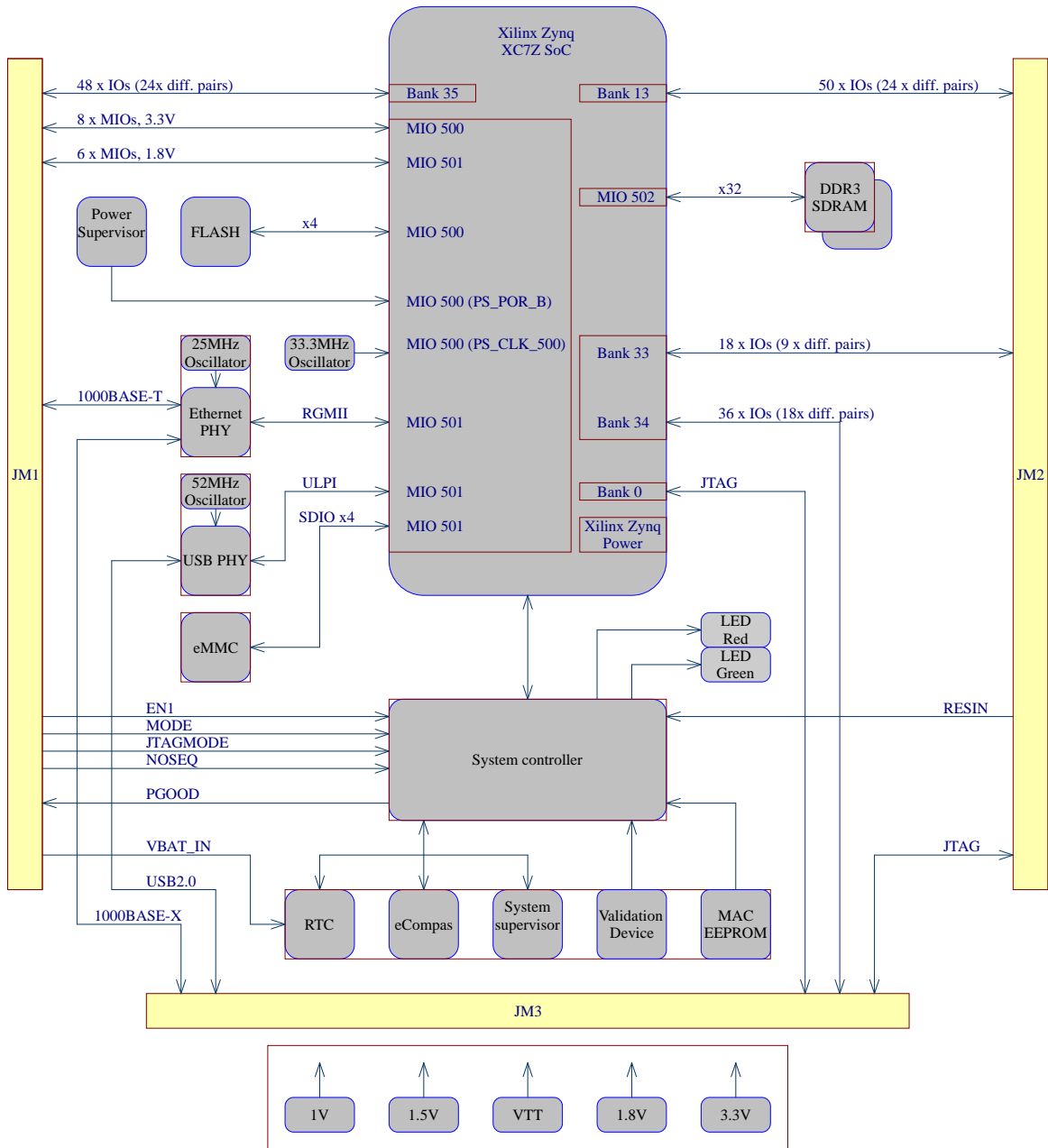
B

C

C

D

D



- U\_Legal Notices Modules  
Legal Notices Modules.SchDoc
- U\_Power\_Diagram  
Power\_Diagram.SchDoc
- U\_Revision Changes  
Revision Changes.SchDoc
- U\_TE0720  
TE0720.SchDoc

Special notes:

Title: GigaZee - System Overview		
A4	Number: TE0720 [No Variations]	Rev. 04
Date: 2022-01-19	Copyright: Trenz Electronic GmbH	Page 3 of 20
Filename: Overview.SchDoc		



1

2

3

4

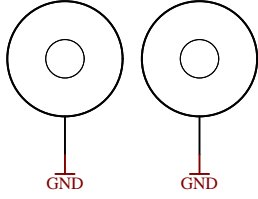
1

2

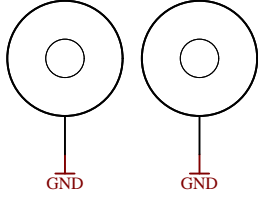
3

4

Mount.Hole 3.2mmMount.Hole 3.2mm



Mount.Hole 3.2mmMount.Hole 3.2mm



- 1V ○ TP1 ● Testpoint 0.8mm
- VIN ○ TP2 ● Testpoint 0.8mm
- 1.5V ○ TP3 ● Testpoint 0.8mm
- 1.8V ○ TP4 ● Testpoint 0.8mm
- VTT ○ TP5 ● Testpoint 0.8mm
- VTTREF ○ TP6 ● Testpoint 0.8mm
- 3.3VIN ○ TP7 ● Testpoint 0.8mm
- 3.3V ○ TP8 ● Testpoint 0.8mm
- VCCIO13 ○ TP9 ● Testpoint 0.8mm
- VCCIO33 ○ TP10 ● Testpoint 0.8mm
- VCCIO34 ○ TP11 ● Testpoint 0.8mm
- VCCIO35 ○ TP12 ● Testpoint 0.8mm
- AVCC ○ TP13 ● Testpoint 0.8mm
- AVREF ○ TP14 ● Testpoint 0.8mm
- AGND | TP15 ● Testpoint 0.8mm
- GND | TP16 ● Testpoint 0.8mm
- GND | TP17 ● Testpoint 0.8mm
- GND | TP18 ● Testpoint 0.8mm
- GND | TP19 ● Testpoint 0.8mm
- GND | TP20 ● Testpoint 0.8mm

A

A

B

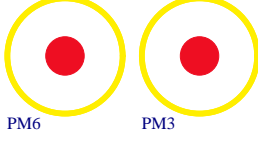
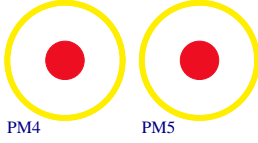
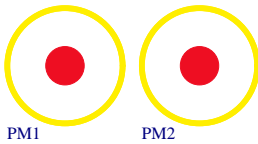
B

C

C

D

D



Serial  
  
 Serialnumber 6,3 x 6.3mm

Assembly variant	[No Variations]
Created by	
Modified by	
Modified at	
SVN Revision	13140



Title: GigaZee - TE0720		
A4	Number: TE0720 [No Variations]	Rev. 04
Date: 2022-01-19	Copyright: 2013 Trenz Electronic GmbH	Page 4 of 20
Drawn by: VY	Filename: TE0720.SchDoc	

1

2

3

4

B35 48 IO, 24 LVDS Pairs  
 MIO0 8 IO, 3.3V  
 MIO1 6 IO 1.8V  
 ETH MDI Copper

B34 36 IO, 18 LVDS Pairs  
 USB OTG  
 ETH SGMI I

B33 18 IO, 9 LVDS Pairs  
 B13 48 IO, 24 LVDS Pairs  
 B13 2 IO

VCCIO34 must be connected to power even if the signals of this bank are not used externally.

A

A

B

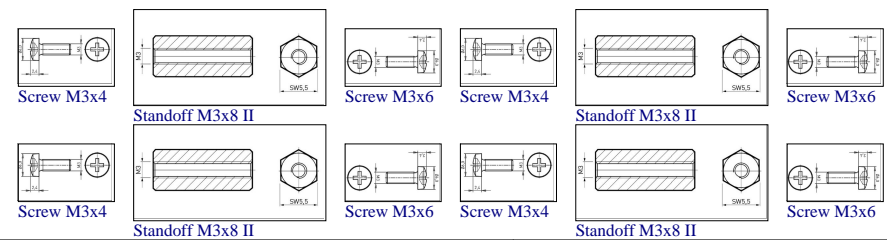
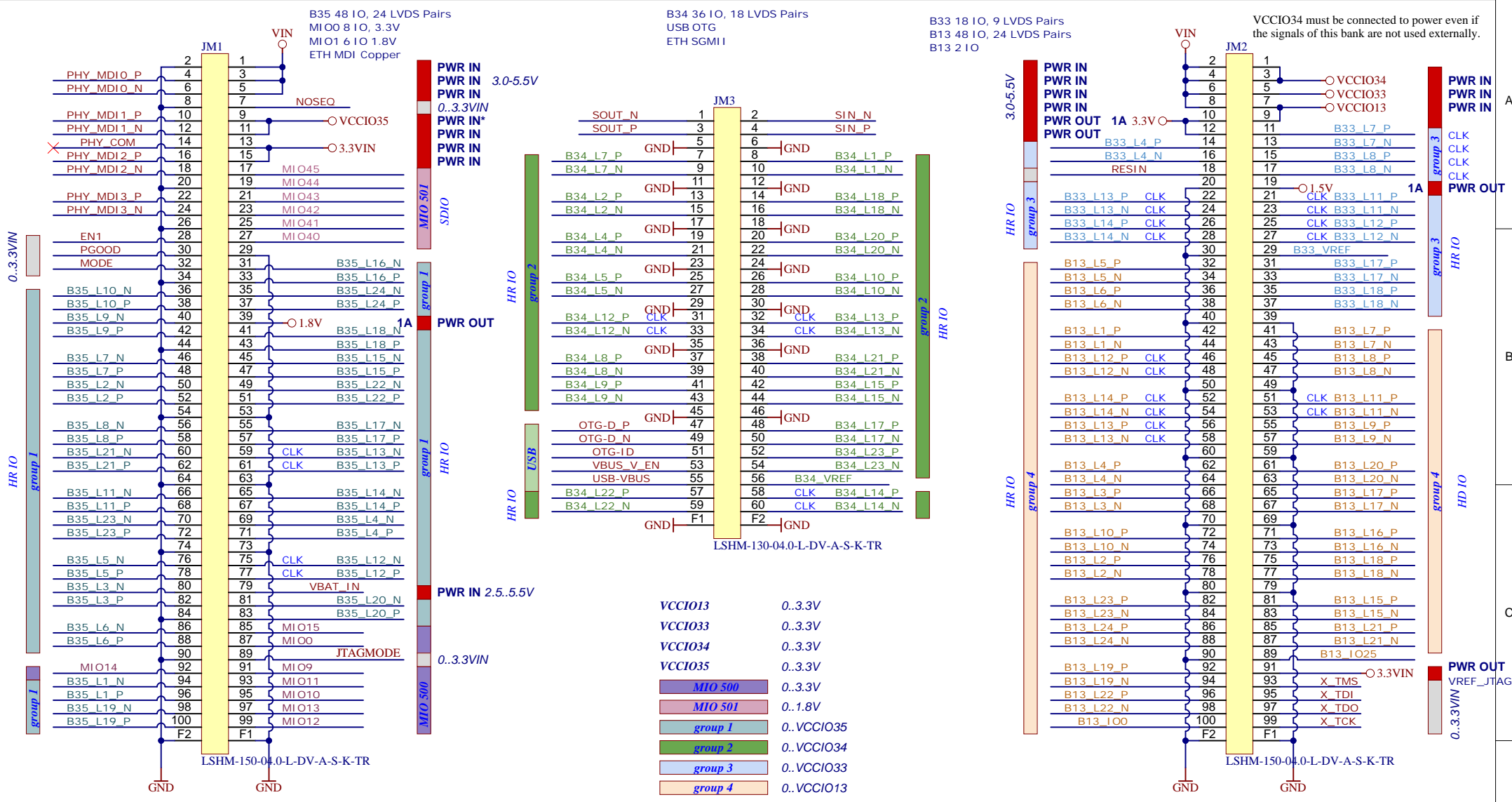
B

C

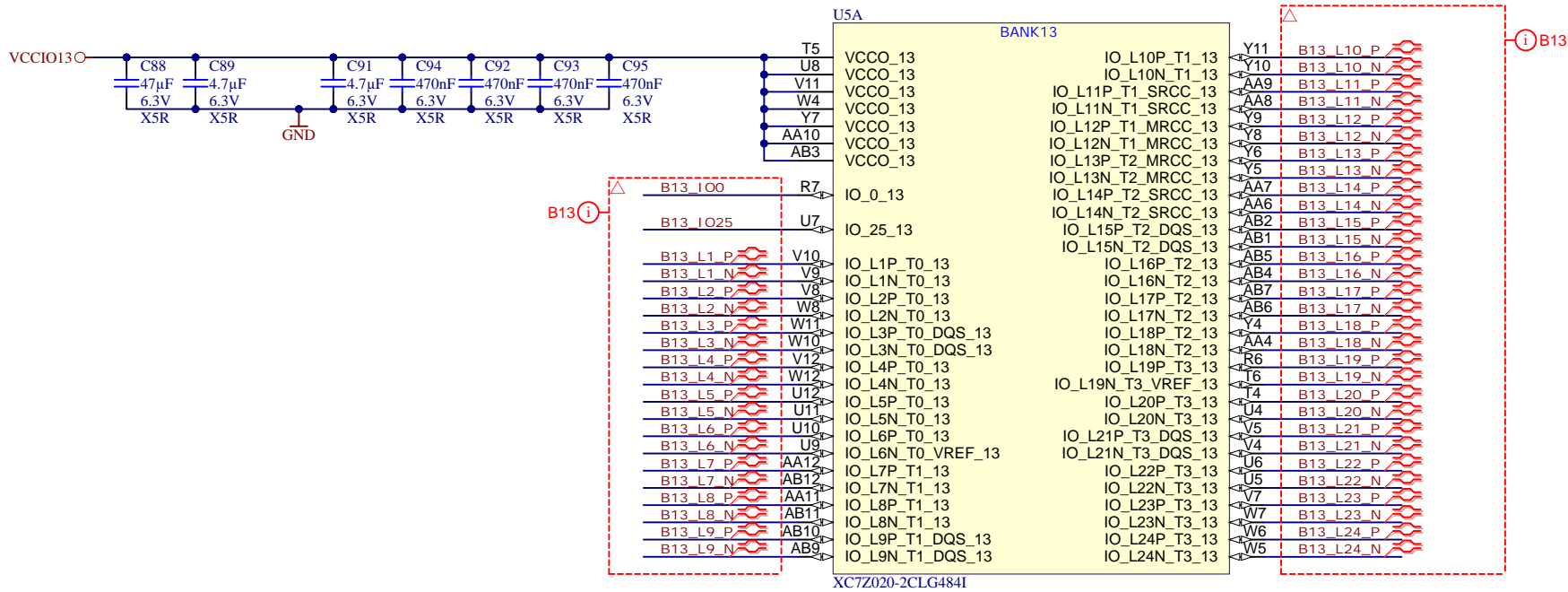
C

D

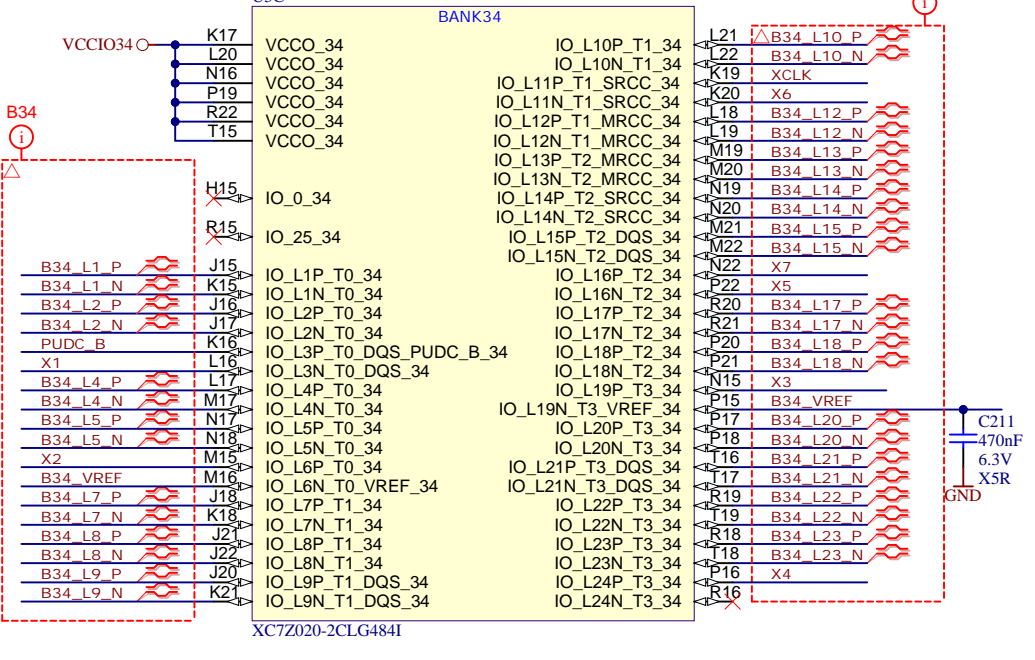
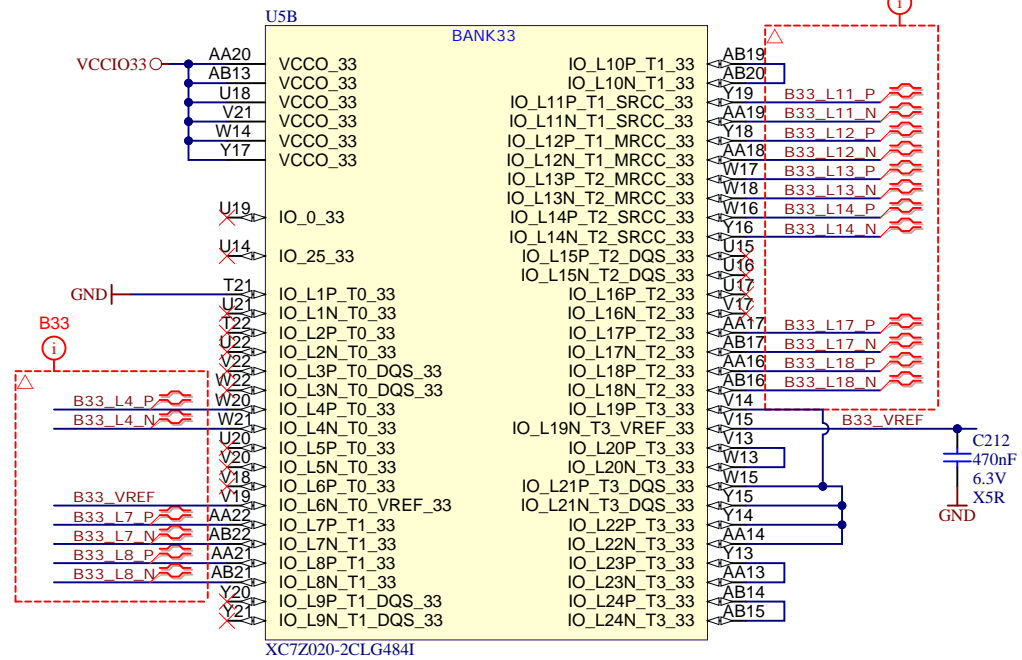
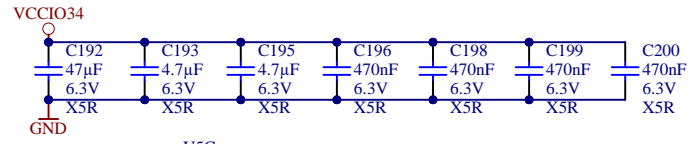
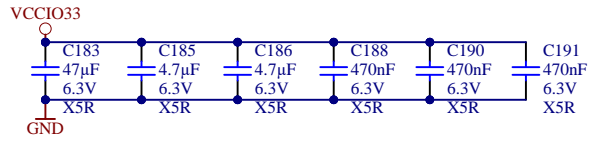
D



Title: GigaZee - B2B Connector		
A4	Number: TE0720 [No Variations]	Rev. 04
Date: 2022-01-19	Copyright: 2013 Trenz Electronic GmbH	Page5 of 20
Filename: B2B-Connectors.SchDoc		

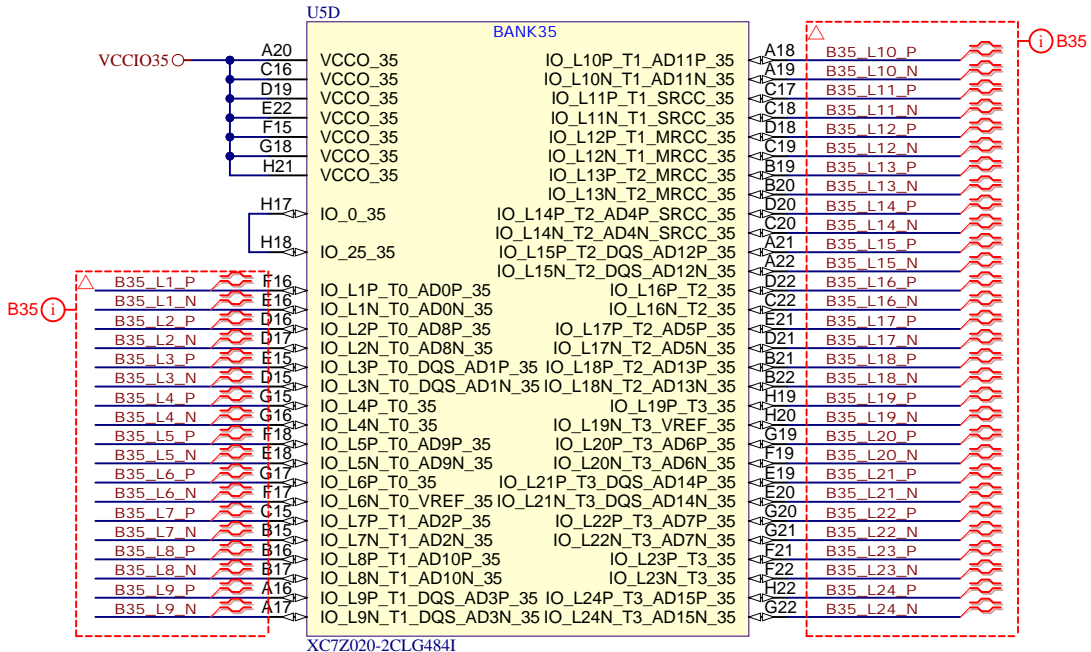
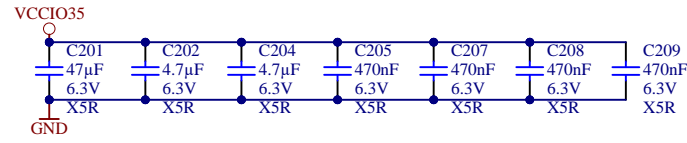


Title: GigaZee - B13		
A4	Number: TE0720 [No Variations]	Rev. 04
Date: 2022-01-19	Copyright: 2013 Trenz Electronic GmbH	Page6 of 20
Filename: B13.SchDoc		



Title: GigaZee - B33 - B34		
A4	Number: TE0720 [No Variations]	Rev. 04
Date: 2022-01-19	Copyright: 2013 Trenz Electronic GmbH	Page7 of 20
Filename: B33-B34.SchDoc		



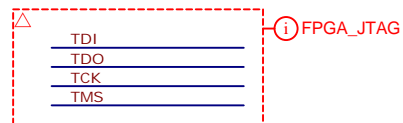
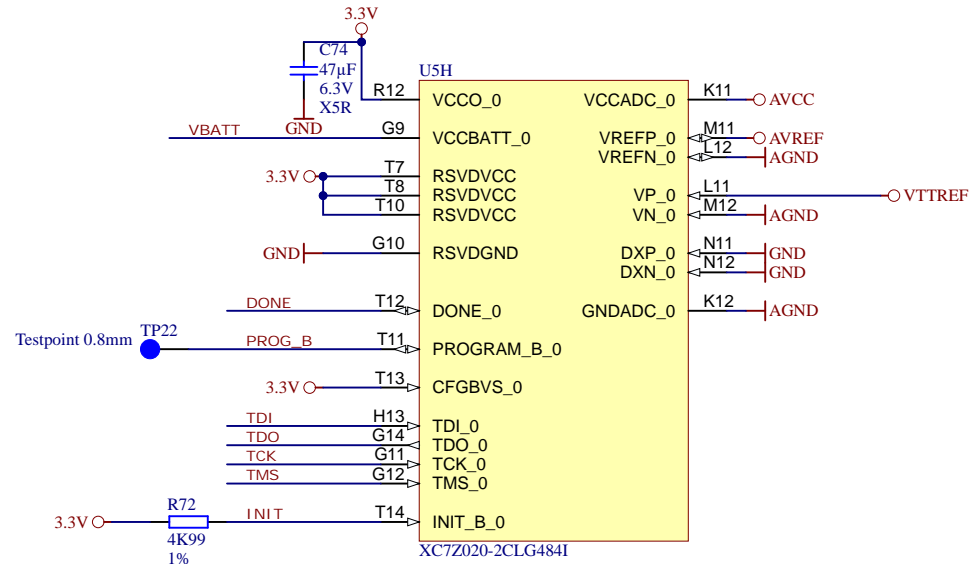
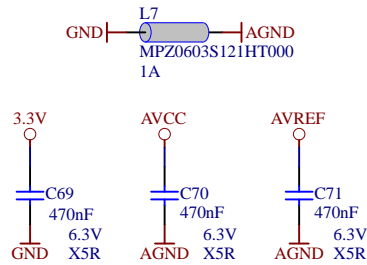
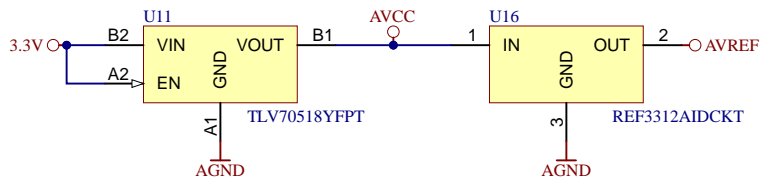


XC7Z020-2CLG484I

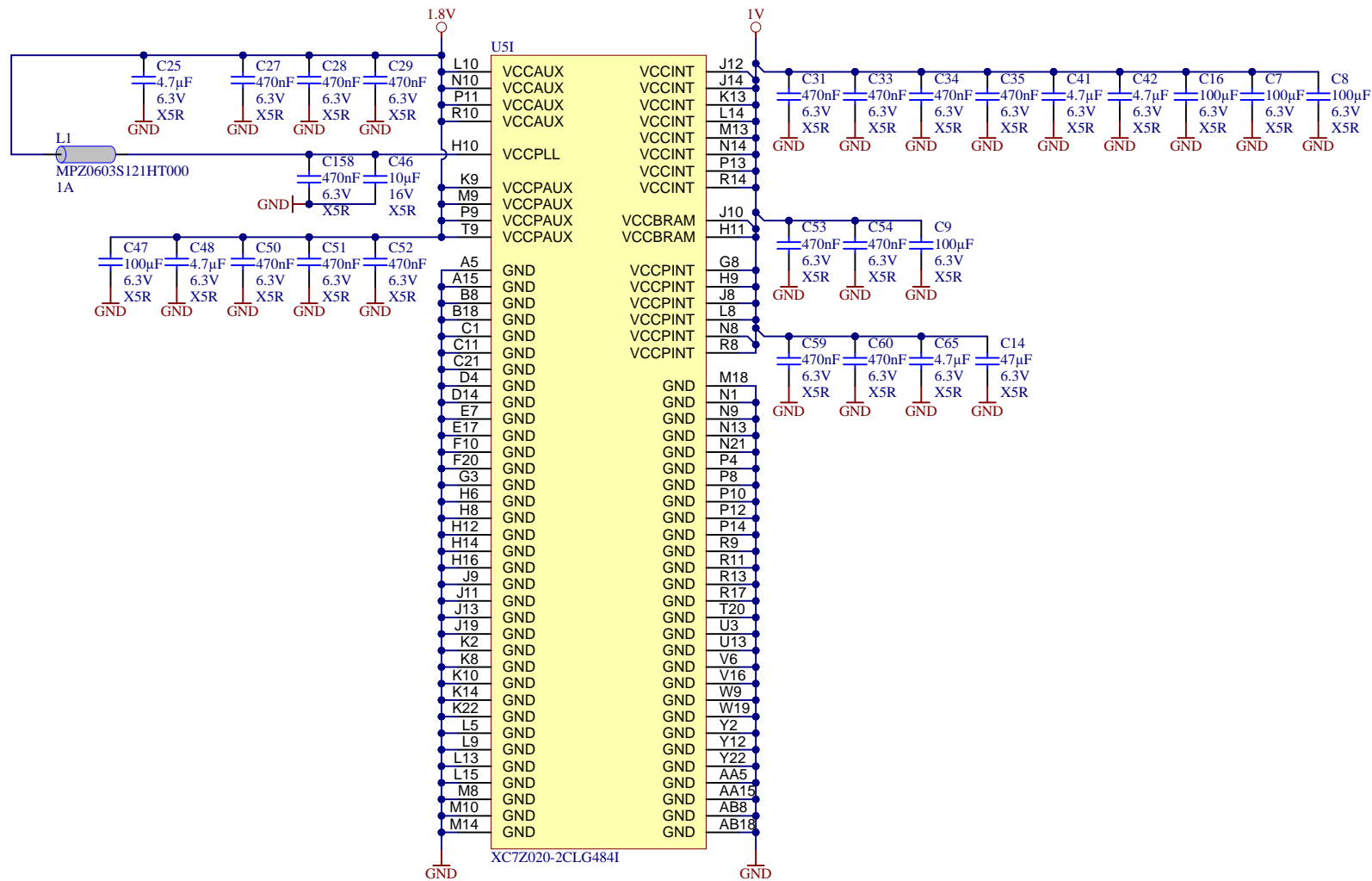



Title: GigaZee - B35		
A4	Number: TE0720 [No Variations]	Rev. 04
Date: 2022-01-19	Copyright: 2013 Trenz Electronic GmbH	Page8 of 20
Filename: B35.SchDoc		

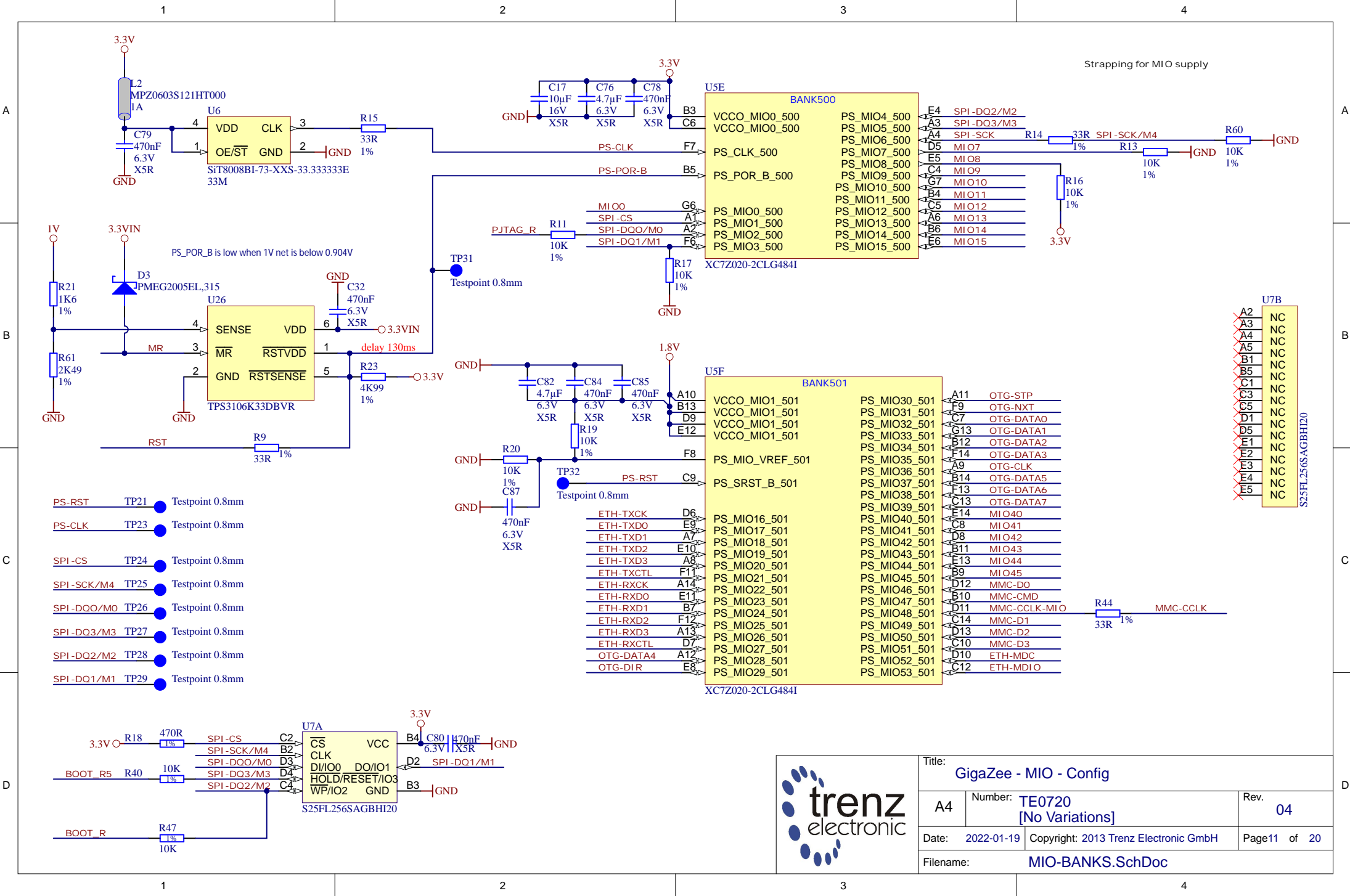




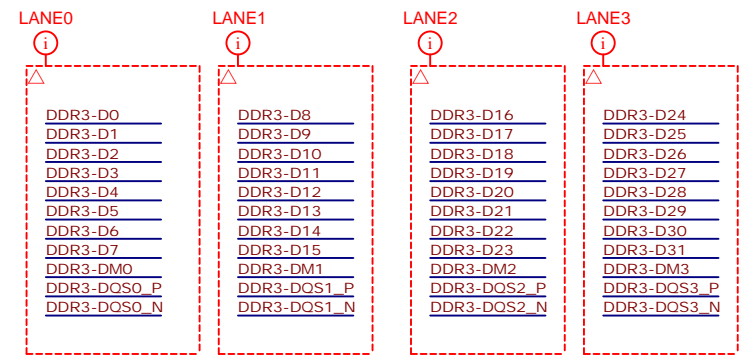
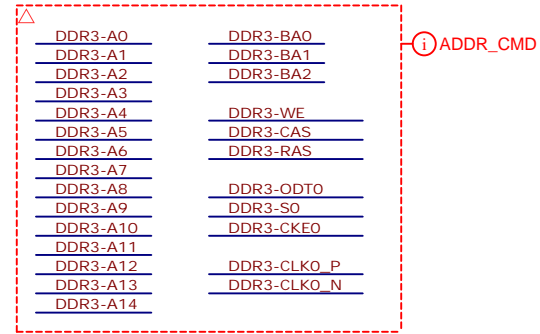
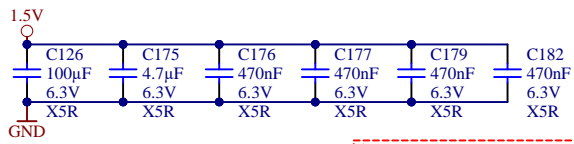
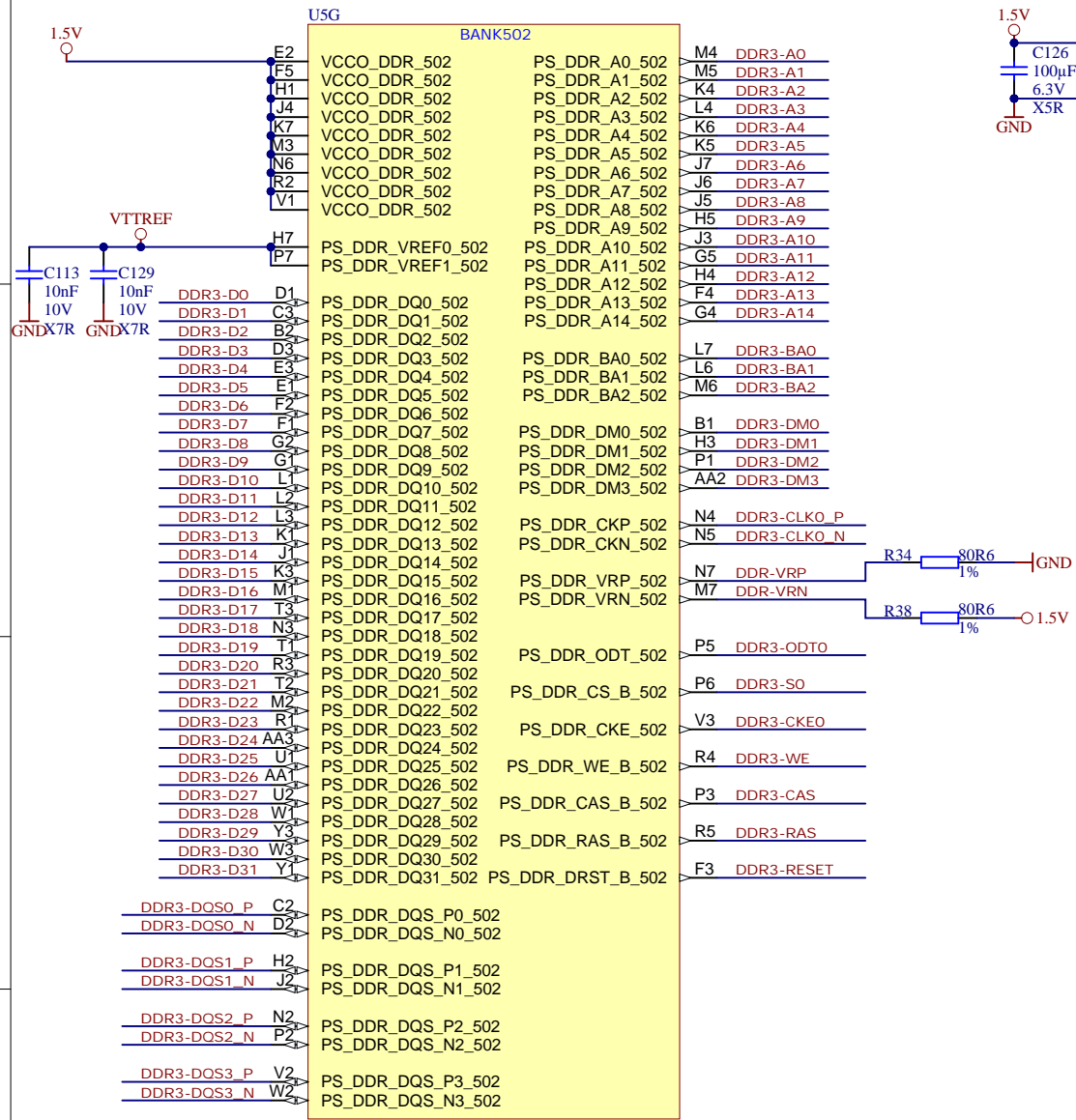
	Title: GigaZee - B0		
	A4	Number: TE0720 [No Variations]	Rev. 04
	Date: 2022-01-19	Copyright: 2013 Trenz Electronic GmbH	Page9 of 20
	Filename: FPGA-MISC.SchDoc		


Title: GigaZee - FPGA Power		
A4	Number: TE0720 [No Variations]	Rev. 04
Date: 2022-01-19	Copyright: 2013 Trenz Electronic GmbH	Page10 of 20
Filename: FPGA-PWR.SchDoc		



Title: GigaZee - MIO - Config		
A4	Number: TE0720 [No Variations]	Rev. 04
Date: 2022-01-19	Copyright: 2013 Trenz Electronic GmbH	Page 11 of 20
Filename: MIO-BANKS.SchDoc		



XC7Z020-2CLG4841

			Title: GigaZee - B502	
			A4	Number: TE0720 [No Variations]
Date: 2022-01-19		Copyright: 2013 Trenz Electronic GmbH		Page 12 of 20
Filename: PS-DDR.SchDoc				

A

A

B

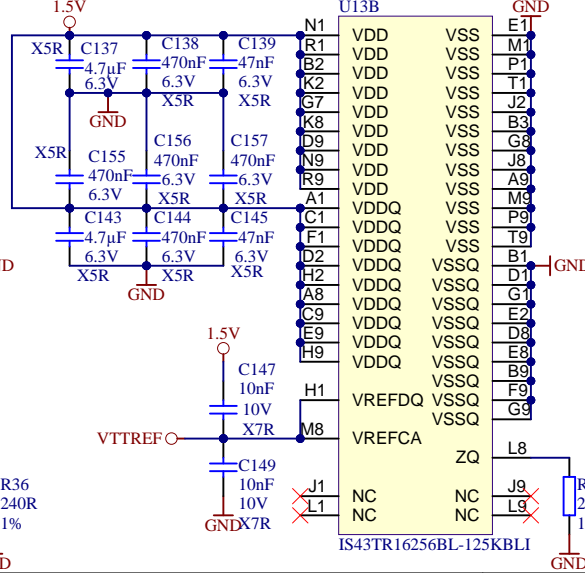
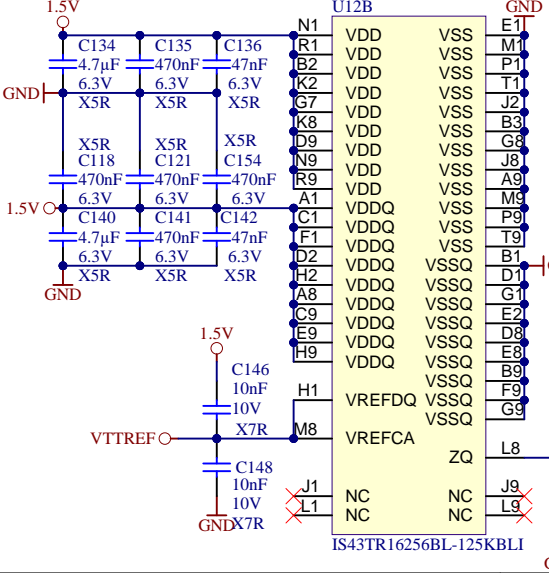
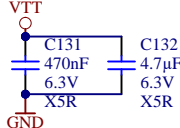
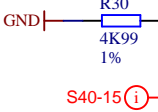
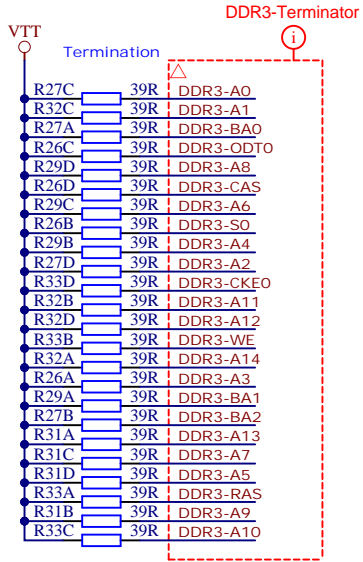
B

C

C

D

D



Title: <b>GigaZee - DDR3</b>		
A4	Number: <b>TE0720</b> [No Variations]	Rev. <b>04</b>
Date: 2022-01-19	Copyright: 2013 Trenz Electronic GmbH	Page13 of 20
Filename: <b>DDR3-RAM.SchDoc</b>		

S40-15

S40-15

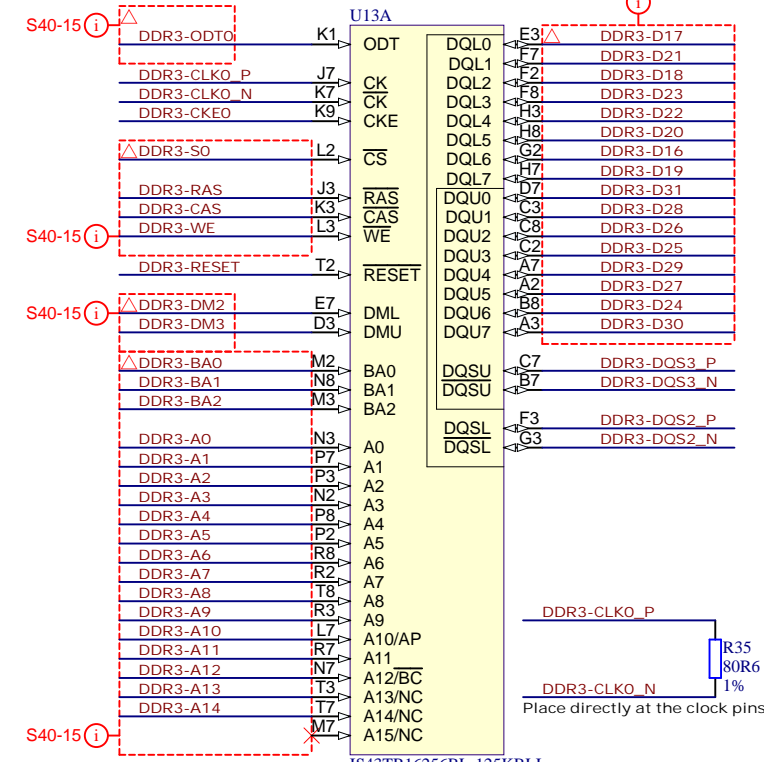
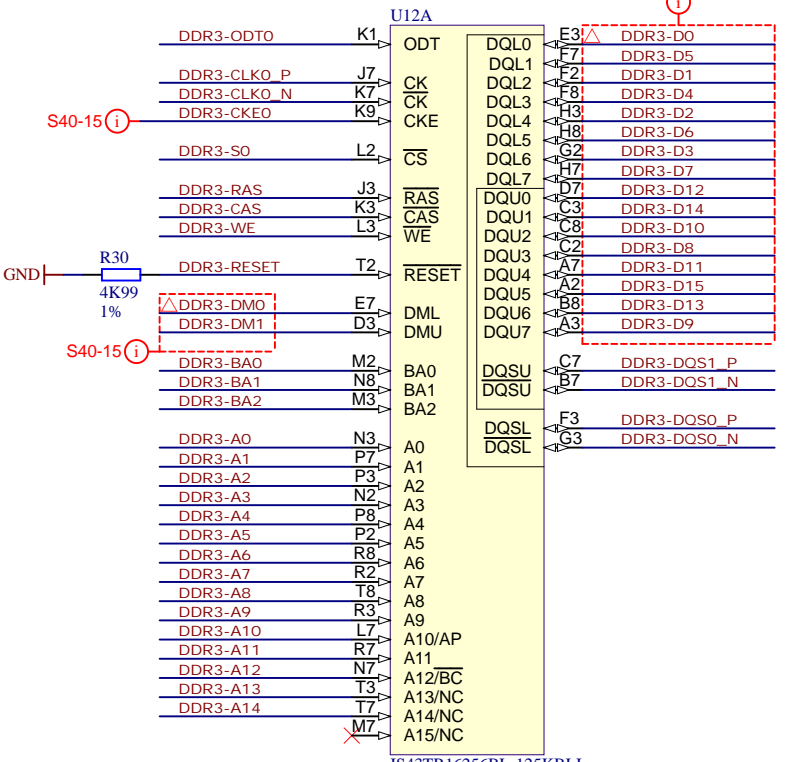
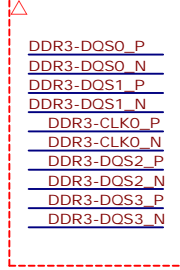
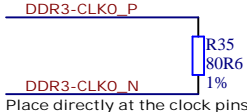
S40-15

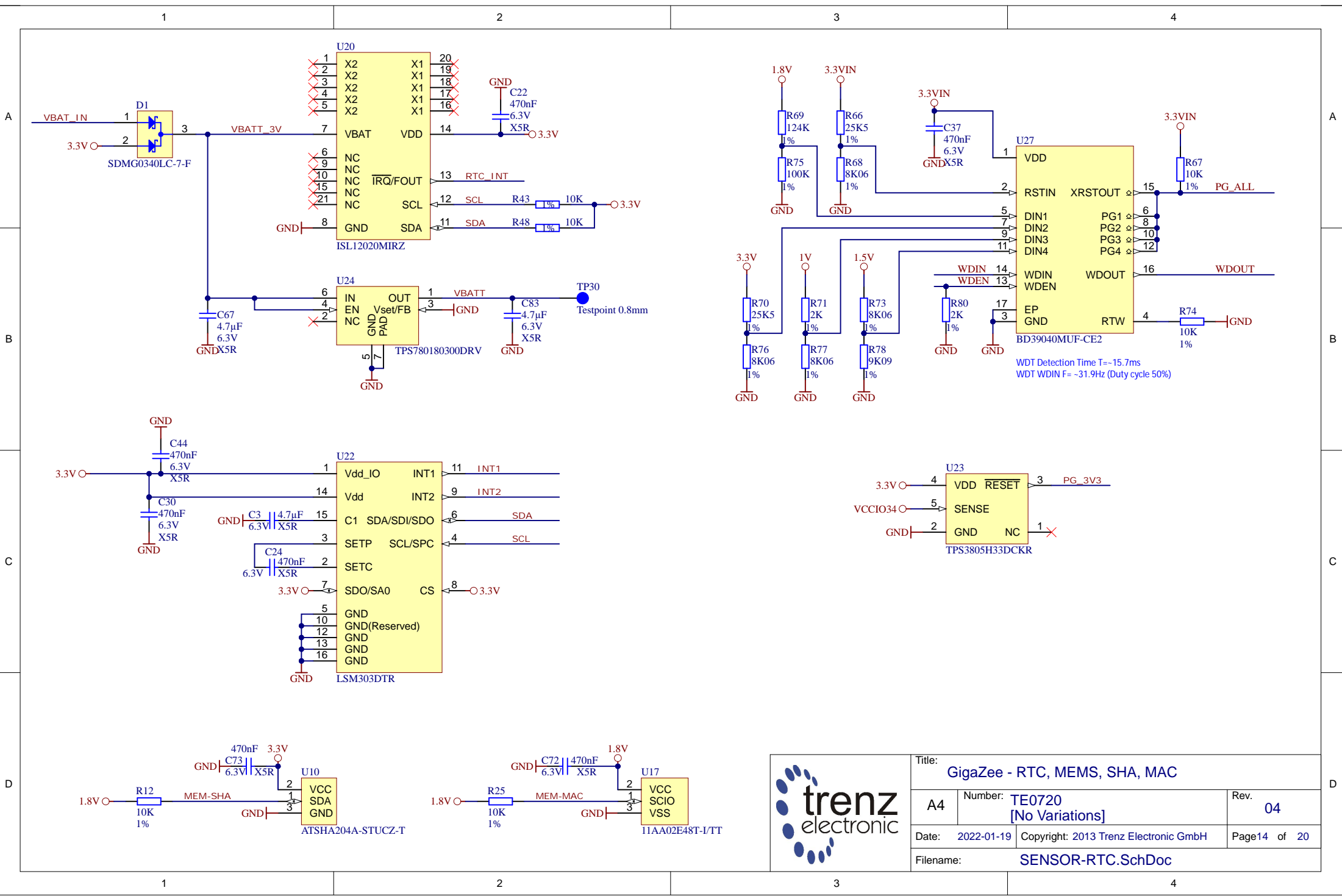
S40-15

S40-15

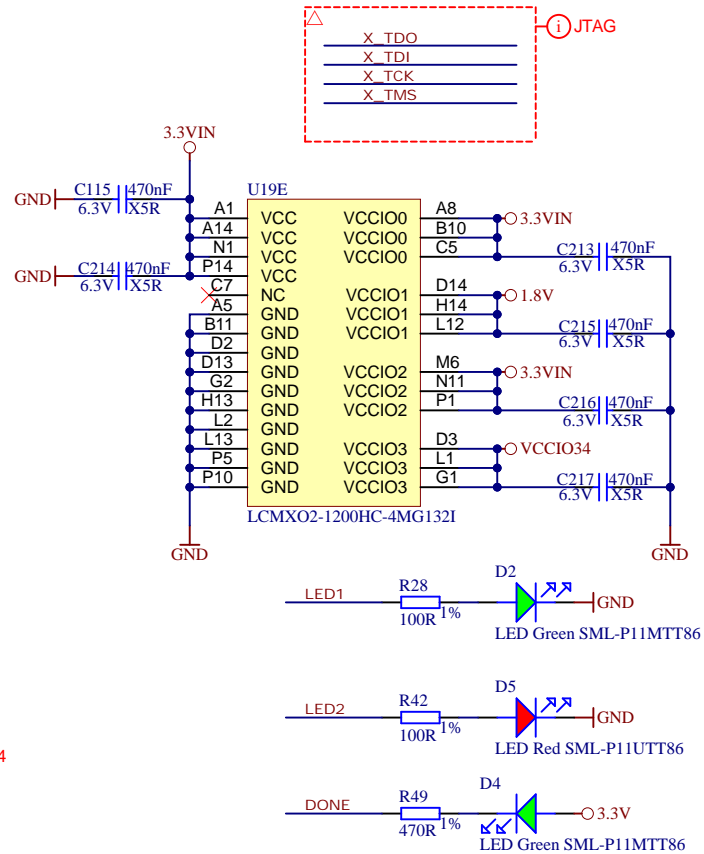
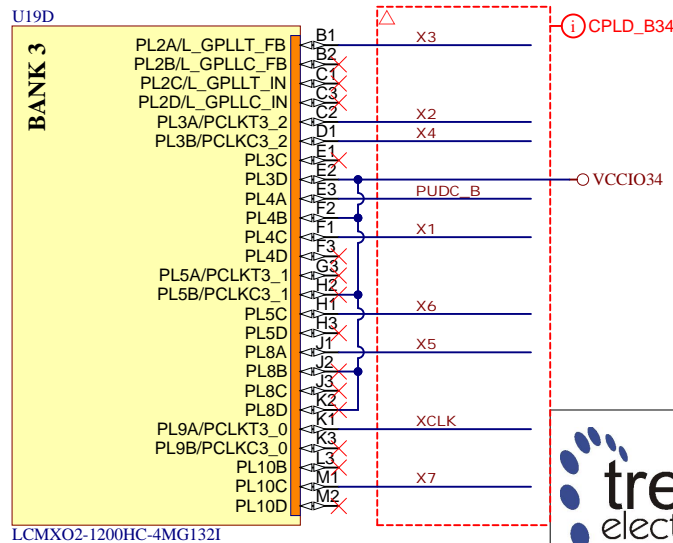
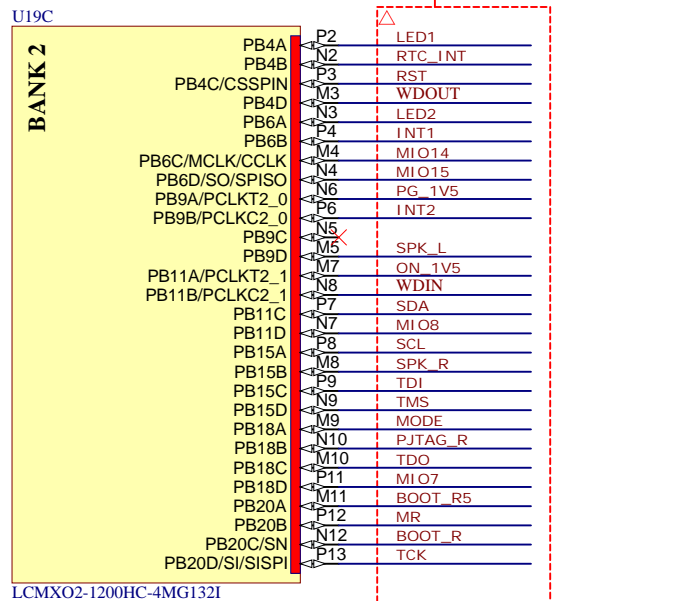
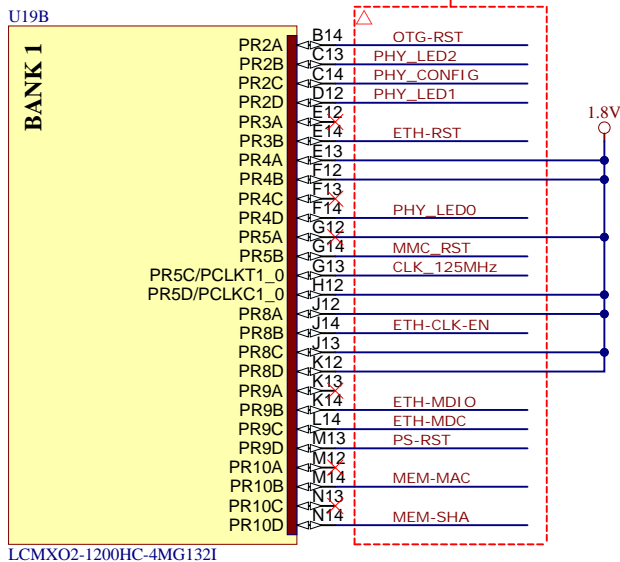
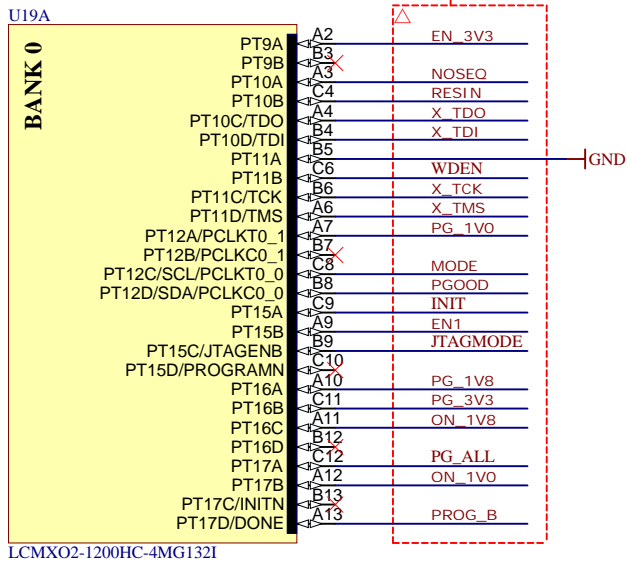
S40-15

D80-15



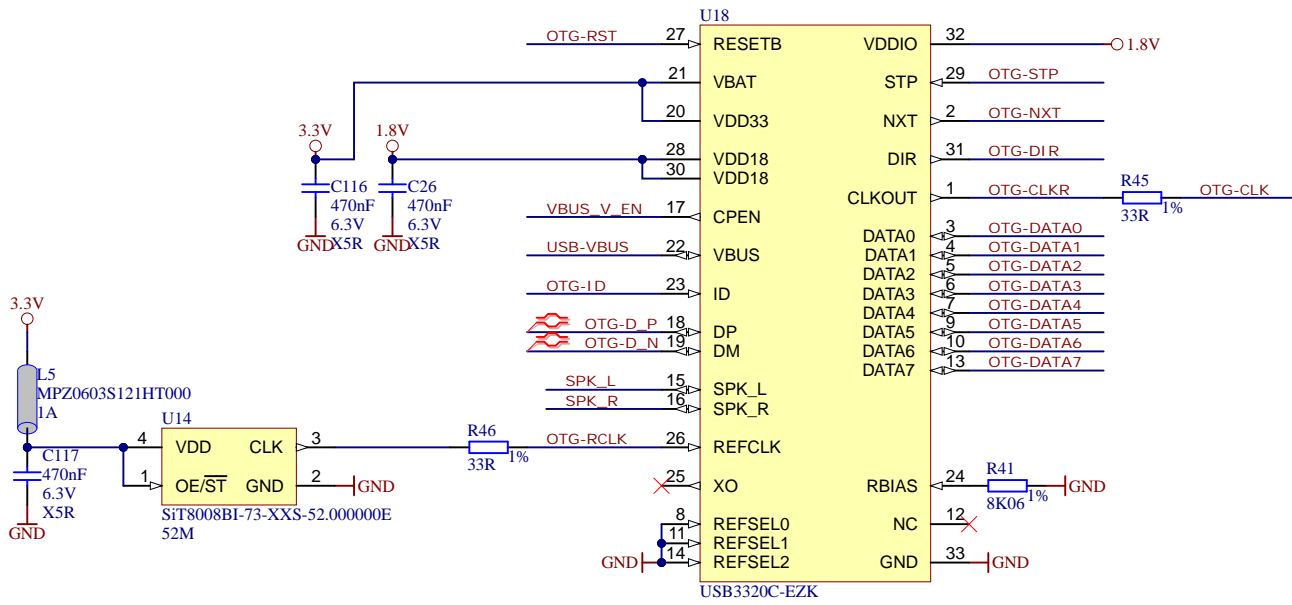



Title: GigaZee - RTC, MEMS, SHA, MAC		
A4	Number: TE0720 [No Variations]	Rev. 04
Date: 2022-01-19	Copyright: 2013 Trenz Electronic GmbH	Page 14 of 20
Filename: SENSOR-RTC.SchDoc		

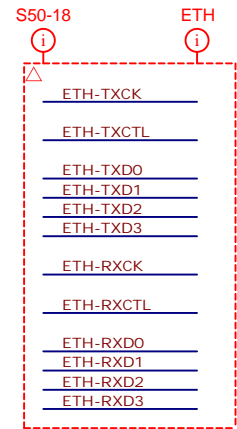
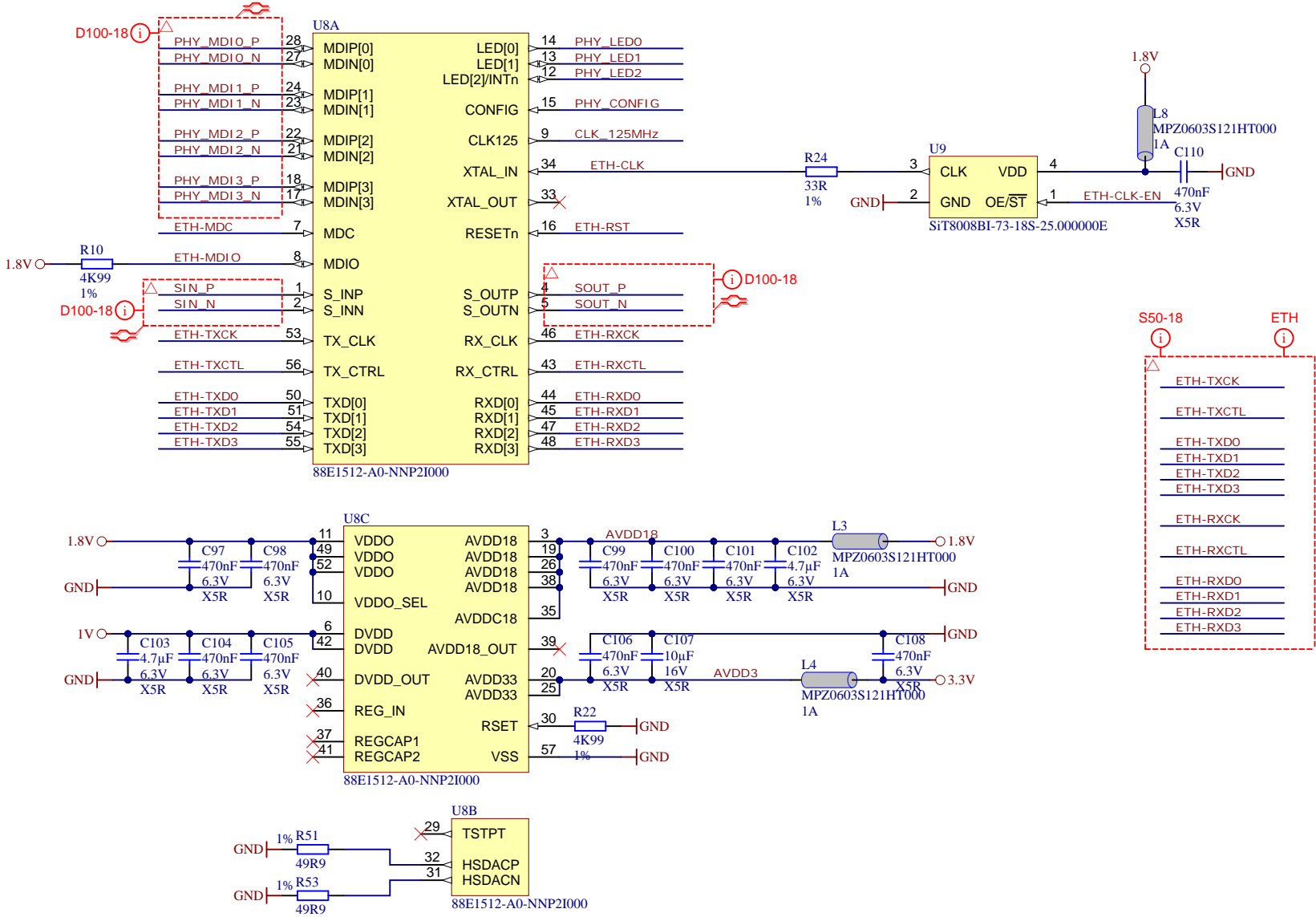



Title: GigaZee - System Controller		
A4	Number: TE0720 [No Variations]	Rev. 04
Date: 2022-01-19	Copyright: 2013 Trenz Electronic GmbH	Page 15 of 20
Filename: SystemController.SchDoc		

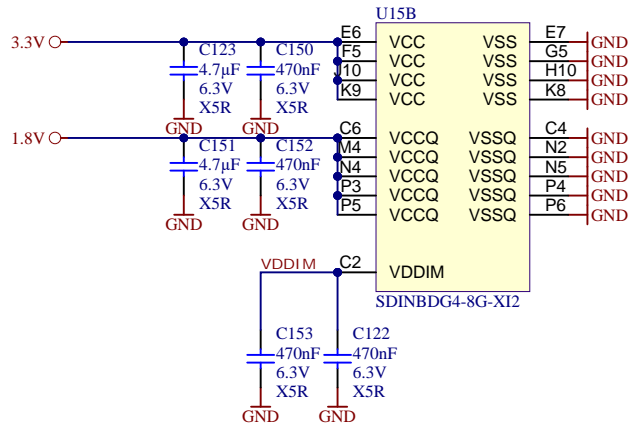
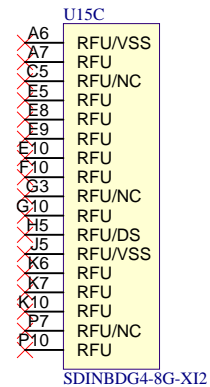
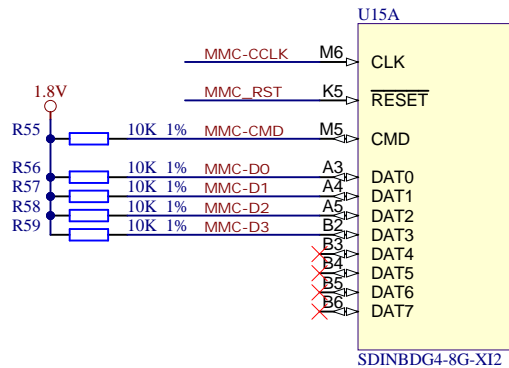
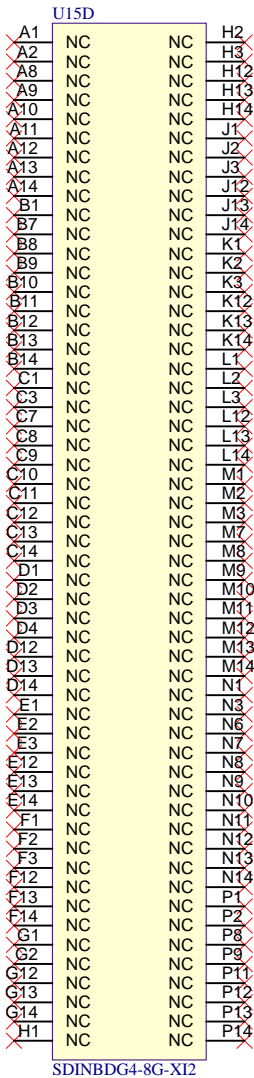




	Title: GigaZee - USB		
	A4	Number: TE0720 [No Variations]	Rev. 04
	Date: 2022-01-19	Copyright: 2013 Trenz Electronic GmbH	Page 16 of 20
	Filename: USB-PHY.SchDoc		

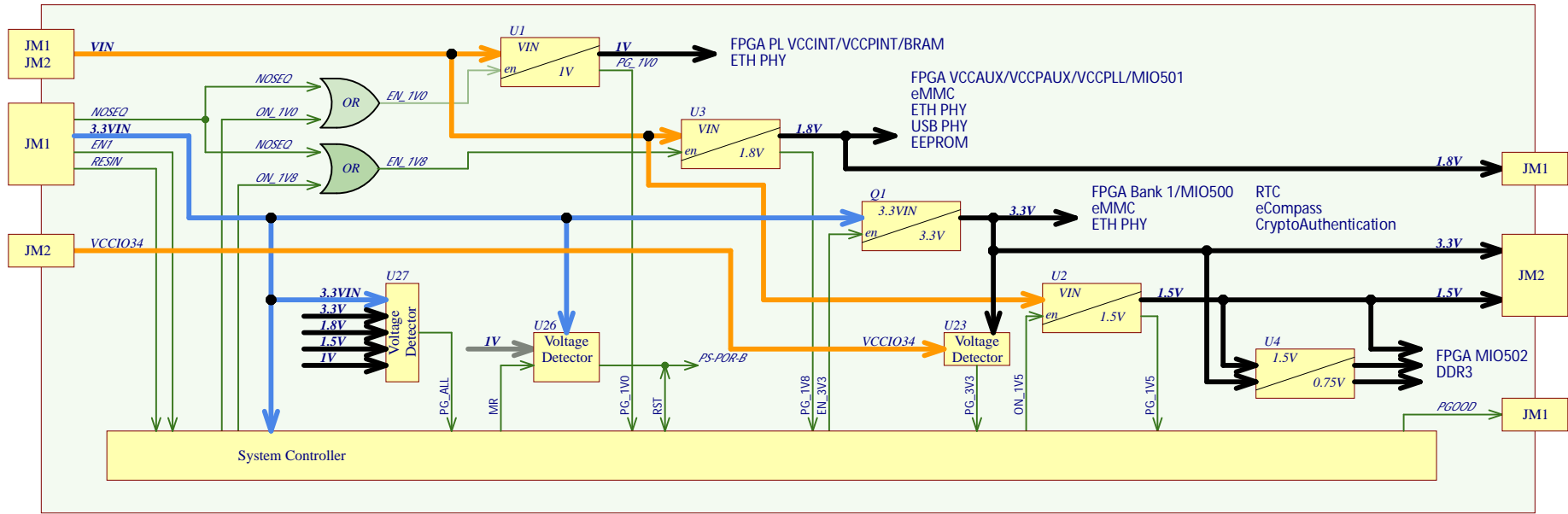


			Title: GigaZee - Ethernet	
			A4	Number: TE0720 [No Variations]
Date: 2022-01-19		Copyright: 2013 Trenz Electronic GmbH		Page 17 of 20
Filename: ETH-PHY.SchDoc				



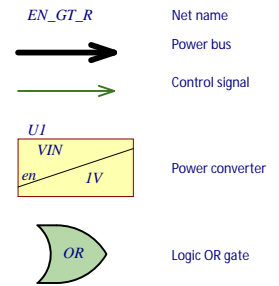
Title: GigaZee - eNAND		
A4	Number: TE0720 [No Variations]	Rev. 04
Date: 2022-01-19	Copyright: 2013 Trenz Electronic GmbH	Page 18 of 20
Filename: eMMC.SchDoc		

# Power-on sequencing:

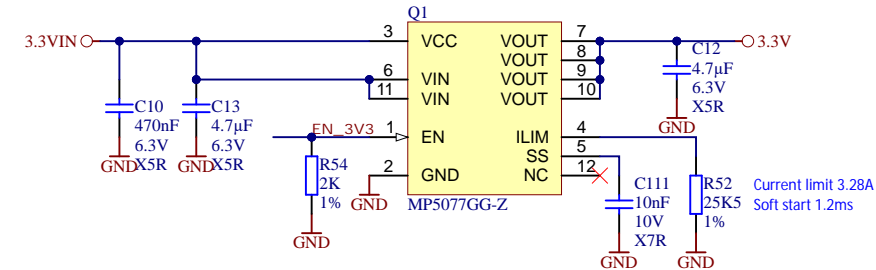
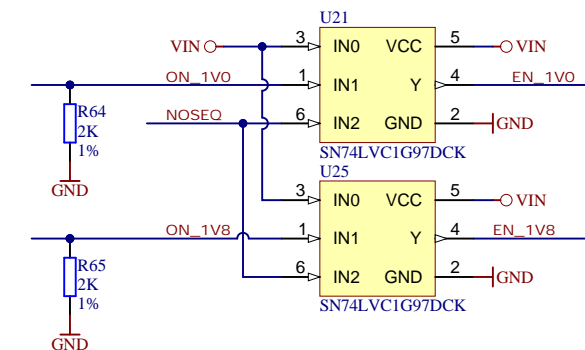
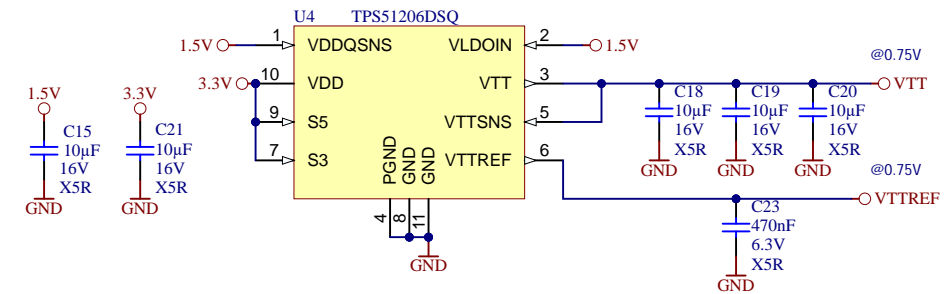
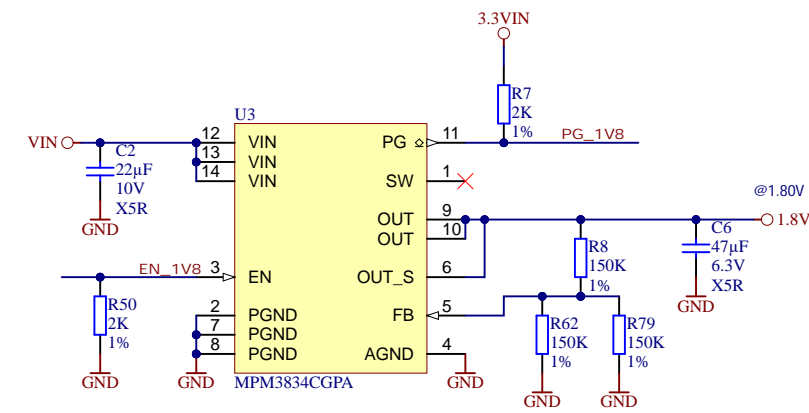
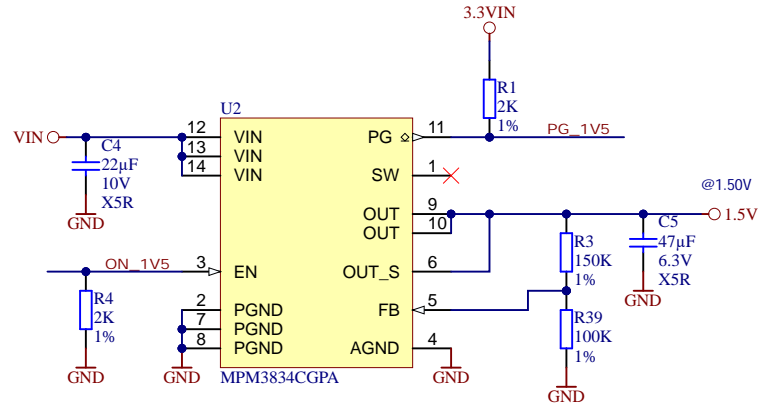
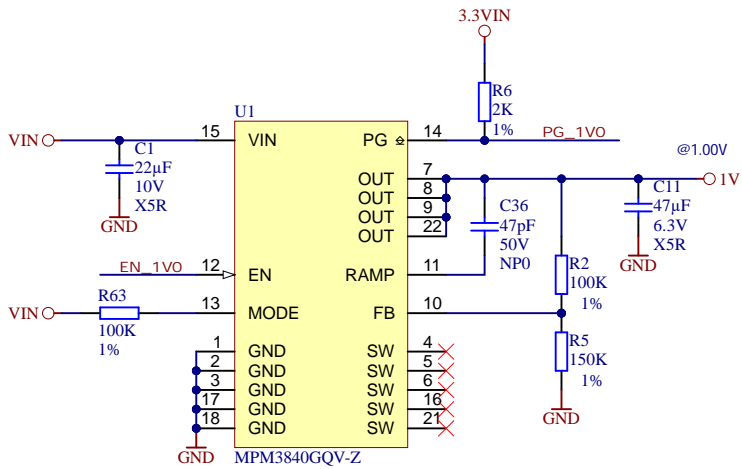



## Recommended Operating Conditions

Power Rail	Direction	Range	Tolerance	Description	Note
VIN	IN	3.3 - 5V	+/-5%	Micromodule Power	Mandatory
3.3VIN	IN	3.3V	+/-5%	Micromodule Power	Mandatory
VCCIO13	IN	1.2 - 3.3V	+/-5%	HR IO Bank13	Mandatory
VCCIO33	IN	1.2 - 3.3V	+/-5%	HR IO Bank33	-
VCCIO34	IN	1.2 - 3.3V	+/-5%	HR IO Bank34	Mandatory
VCCIO35	IN	1.2 - 3.3V	+/-5%	HR IO Bank35	-
VBAT_IN	IN	2.5 - 5V	+/-5%	RTC	-
1.8V	OUT	1.8V	+/-5%	For Carrier card Periphery	-
3.3V	OUT	3.3V	+/-5%	For Carrier card Periphery	-
DDR_PWR	OUT	1.5V	+/-5%	For Carrier card Periphery	-
VREF_JTAG	OUT	3.3V	+/-5%	For Carrier card Periphery	Connected to 3.3VIN



Title: <b>GigaZee - Power Diagram</b>		
A4	Number: <b>TE0720</b> [No Variations]	Rev. <b>04</b>
Date: 28.10.2022	Copyright: Trenz Electronic GmbH / TT	Page 19 of 20
Filename: <b>Power_Diagram.SchDoc</b>		



			Title: <b>GigaZee - Power</b>	
			A4	Number: <b>TE0720</b> [No Variations]
Date: 2022-01-19		Copyright: 2013 Trenz Electronic GmbH		Page 20 of 20
Filename: <b>Power.SchDoc</b>				